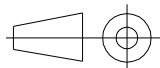
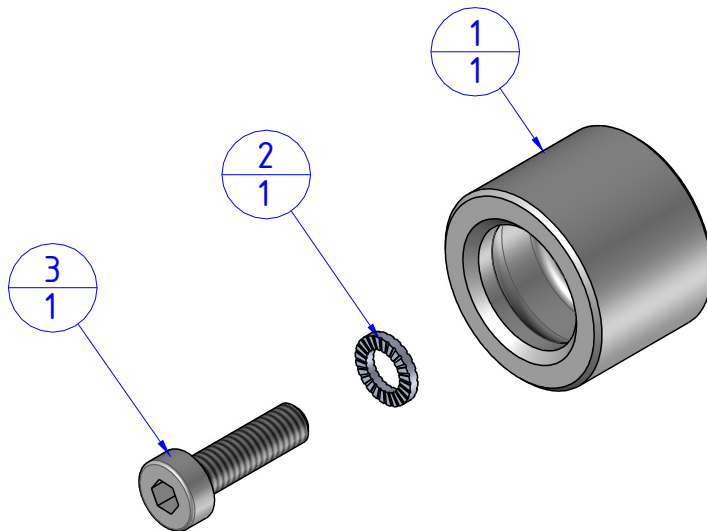
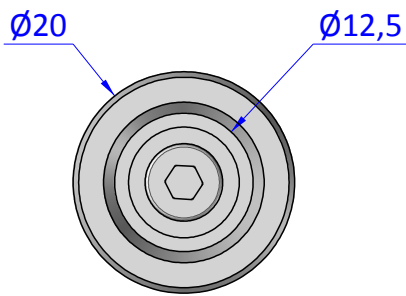
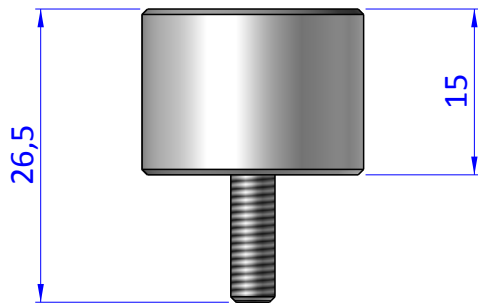


THE PROPERTY OF THE DRAWING IS ESTABLISHED BY LAW. IT IS FORBIDDEN TO PRODUCE OR SHOW IT TO THIRD PART. WITHOUT A WRITTEN AGREEMENT.

Item	Name	Q.ty
1	AGP.20.M.20	1
2	R.4.SCH	1
3	V.TBCE4x14	1



<b>Format</b> A4  UNI 936-76	<b>GENERAL TOLERANCE</b> UNI - ISO 2768 CLASSE f	<b>DESCRIPTION</b>  CA.AGP.20.M.20	<b>DESIGNED FROM</b> FPS Automation	<b>REVIEW</b> A
			<b>DATE</b> 24/07/2019	<b>WEIGHT</b> 0,025kg
			<b>CODE</b> CA.AGP.20.M.20	